

Schmidt Infosystems

Product Surface Chart

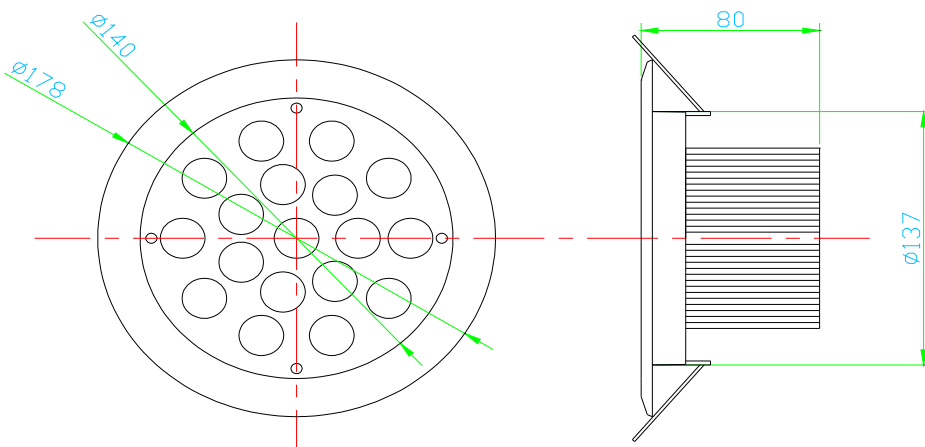


IS-0065

Color Code

Color	Code
cool white	W
warm white	V
red	R
green	G
blue	B
yellow	Y

Product Framework Dimension Chart



Unit : MM

A. 18X1W

1.FEATURES

- BULB TYPE 18*1W Downlight175
- BASE TYPE 3 PIN
- INPUT VOLTAGE 85--260V AC with reversed polarity protect
- OUTPUT POWER 18w
- TOTAL LENGTH 80mm
- BEAM ANGLE 15/30/45/60degrees
- REFLECTOR EFFICIENCY 90%
- LIGHT SOURCE 18X1W high power LED
- OUTPUT CURRENT 320mA
- BODY TEMPERATURE <55°C
- LED WORKING TEMPERATURE <68°C
- FULL RANGE OF COLORS cool white, warm white, blue, green ,red,yellow

- NET WEIGHT 770g
- ALUMINIUM HOUSING
- NO UV OR IR RADIATION
- SAFETY ASSURANCE CE&ROHS

2 Optical Characteristics at Ip=320mA OUTPUT POWER□18W

part no.	LED Brand	Color	wavelength/CCT (nm/K)	Luminous Flux (LM)	center illuminance @1M/0.5M□LUX□	Dia 60/30CM 1M/0.5M□LUX□	light circle 1M/0.5M (CM)
IS-0065-001	Luxeon	cool white	5000-7000K	660	3000/10000	260/820	110/55
IS-0065-002		warm white	2800-3500K	410	2300/6300	180/420	110/55
IS-0065-003		red	625-630nm	420	3500/11600	220/700	110/55
IS-0065-004		green	520-525nm	720	3800/13200	250/800	110/55
IS-0065-005		blue	465-470nm	350	4200/13700	270/830	110/55
IS-0065-006		yellow	585-590nm	500	2800/7600	210/500	110/55
IS-0065-007	Edison (SL)	cool white	5000-7000K	780	3000/10000	260/820	110/55
IS-0065-008		warm white	2800-3500K	520	2300/6300	180/420	110/55
IS-0065-009		red	625-630nm	510	3500/11600	220/700	110/55
IS-0065-010		green	520-525nm	750	3800/13200	250/800	110/55
IS-0065-011		blue	465-470nm	400	4200/13700	270/830	110/55
IS-0065-012		yellow	585-590nm	550	2800/7600	210/500	110/55
IS-0065-013	Cree	cool white	5000-7000K	1180	5000/19000	1000/1900	110/55
IS-0065-014		warm white	2800-3500K	700	4500/16000	600/1500	110/55